

1 2 3 4 5 6 7

SPECIFICATION

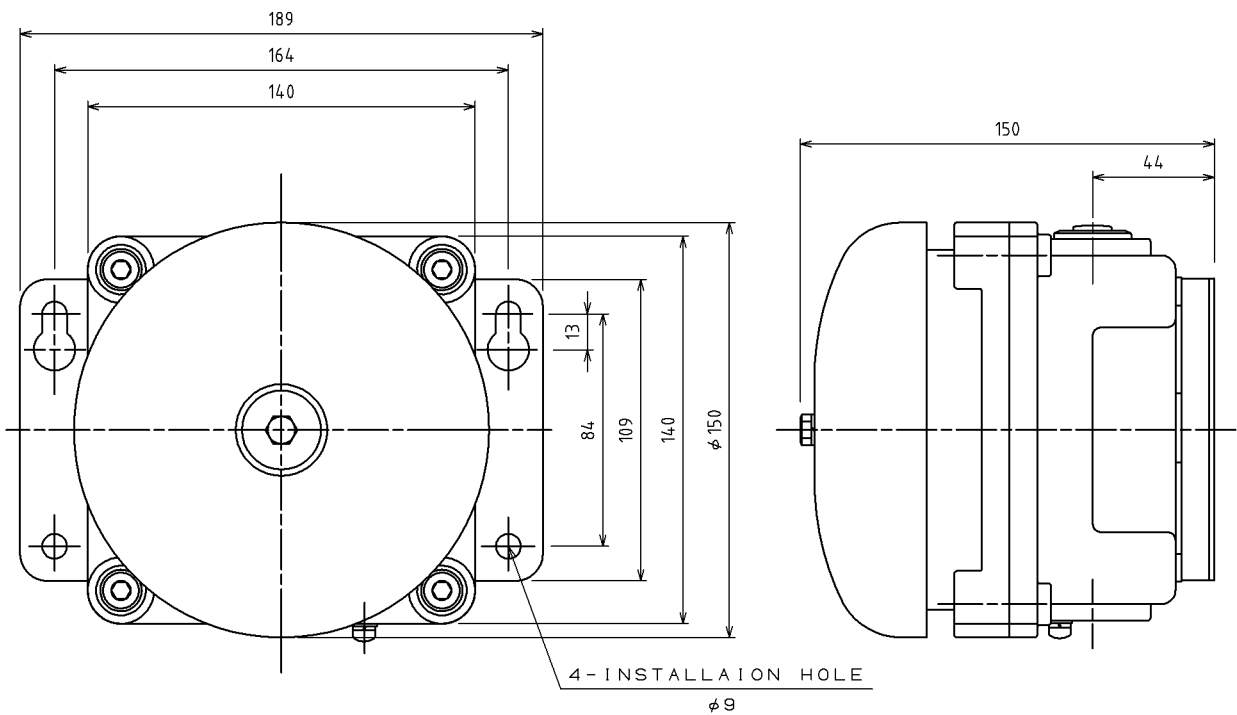
RATING VOLTAGE : DC24V 15mA
 MODEL No. : 警音第13~4号
 TYPE : Exd IIBT4 (d2G4)
 SOUND LEVEL : UPPER 92dB (FRONT 1m)
 TEMPERATURE RANGE : -20℃~60℃

STRUCTURE : EXPLOSION PROOF TYPE
 (INDOOR TYPE)

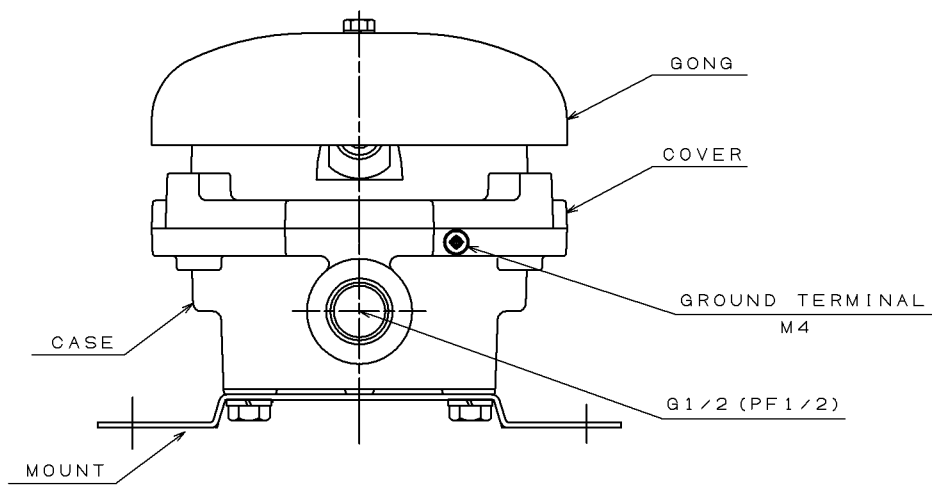
MATERIAL : GONG:ALMINUM ALLOY
 COVER, CASE:ALMINUM ALLOY

COLOR : GONG:MUNSELL 7.1R3.6/12.8
 COVER, CASE:MUNSELL 5Y7/1

MASS : APPROX. 3Kg



4-INSTALLATION HOLE
 φ9



DRAWN M, SAKAI	DATE 2014.11.06	TITLE FIRE ALARM BELL EMB-6
CHECKED T, SAKAI	UNIT mm	DWG NO. 3-1-040-0744-021
APPROVED Y, TANIGUCHI	SCALE 1:2	HOCHIKI CORPORATION

1 2 3 4 5 6 7