

# CM-RD998

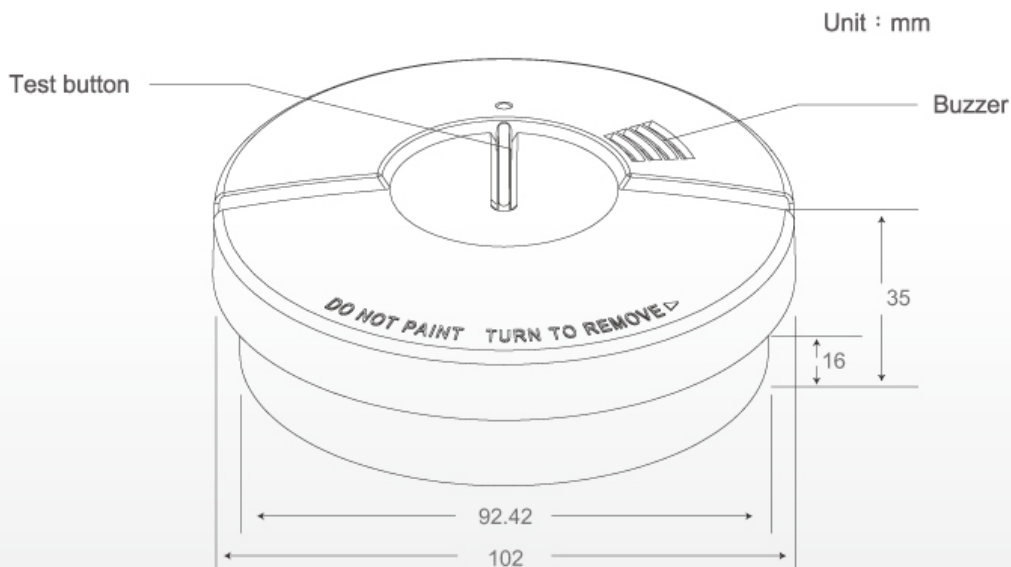
Residential Photoelectric Smoke Detector

ISO9001  
Approvals: CE



## ■ ADVANTAGES

- \* Quickly detect the slow combustion and the fire source of the smolder
- \* When battery is low, alarm signal will be sent (buzz once per 40 sec.). Meanwhile, it can normally operate about 30 days
- \* Three-year warranty (not including battery)



## ■ SPECIFICATION

MODEL NO.	CM-RD998	AMBIENT TEMP.	-10°C ~ +55°C
TYPE	Stand alone type	MATERIAL	Fire-Proof plastics
VOLTAGE RANGE	9V DC Battery	DIMENSIONS	102 (Dia.) × 35 (H) mm
ALARM CURRENT	9V DC 10mA	WEIGHT	Approx. 133g
INDICATOR	Standby: flash every 40 seconds Alarm: flash and beep continuously Battery low: beeps and flash every 40 seconds	COLOR	White
SOUND OUTPUT	85 dB / 1 meter	ACCESSORIES	9V Battery ; Screws ; Geckos ; Steel nails ;
SENSITIVITY SETTING	Comply to EN 54		