

# CM-PBL2

Fire Alarm Complex (Recess)

ISO9001  
Approvals: CE

# CM-PBL1

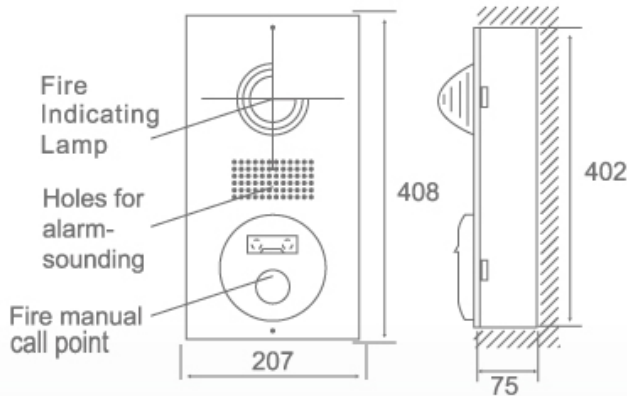
Fire Alarm Complex (Surface)

ISO9001  
Approvals: CE



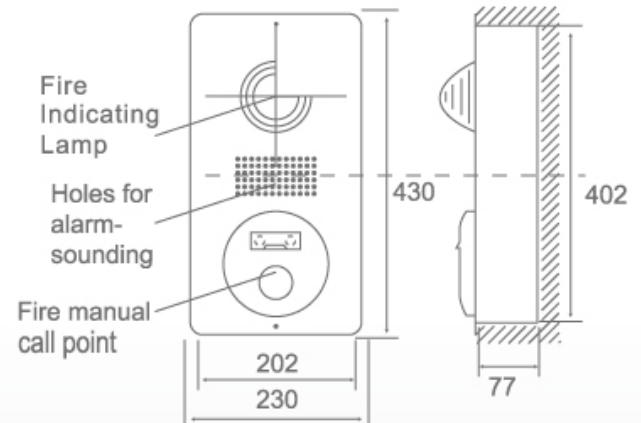
## ■ CM-PBL1

Unit : mm



## ■ CM-PBL2

Unit : mm



## ■ SPECIFICATION

MODEL NO.	CM-PBL1	CM-PBL2
TYPE	Surface mounting	Recess mounting
LOCK MODEL	Screw	
MATERIAL	1 mm Powder coating iron plate	
DIMENSIONS	Surface: 408(H) × 207(W)mm Base: 402(H) × 201(W) × 75(D)mm	Surface: 430(H) × 230(W)mm Base: 402(H) × 202(W) × 77(D)mm
WEIGHT	2.5kg	
COLOR	Creamy White	