



www.gst.uk.com
info@gst.uk.com

Interposing Relay Module C-9302 / C-9302A



Features and Benefits

1. Working together with GST Input/Output modules, used to control intensive current facility switch between AC and DC
2. Two pairs of DC24Vdc /5A NO/NC for C-9302A
3. LED status indicator
4. First fix base for easy and safe installation.

Description

C-9302 Interposing Relay Module is a non-addressable module, used together with I-9301 module to control the activating devices with higher current capacity and transforming control of AC 220V devices in order to avoid mixing of DC and AC voltages to isolate the loop.

Specification

Part Number	C-9302	C-9302A
Protection rating	IP 30	
Output control mode	Electric level mode, relay always closed	
Output capacity	n/a	5A/220Vac(5A/24Vdc)
Relay contact	One	Two
Operating voltage	24Vdc (16~28Vdc) feed by I-9301	24Vdc (16~28Vdc) feed by I-9303
Operating current	Standby: 1mA ; Action: 5mA	
Operating Temperature	-10°C to 50°C @ 90% relative humidity	
Application	Indoor use	
Materials and colour	ABS / Ivory white	
Dimension	120mm x 80mm x 39mm	
Wiring	2 wire for contact (non-polarized), 2 wire connecting I-9301	4 wire for contact (non-polarized), 4 wire connecting I-9303

GST England Lion Court, Staunton Harold Hall, Melbourne Road, Ashby de la Zouch, Leicestershire, England LE65 1RT Tel: +44 1283 225 478 Fax: +44 1283 220 690

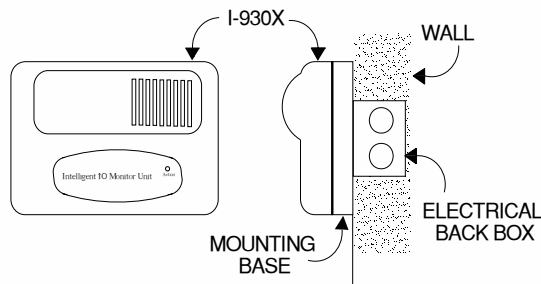
GST Dubai ZA04, Jebel Ali Free Zone, P.O.Box 17998, Dubai UAE
Tel: +971 (0)4 8833 050 Fax: +971 (0)4 8833 053

GST China 80, Changjiang East Road, Economic & Technology Development Zone Qinhuangdao, Hebei, China Tel: +86(0)335 850 2383 Fax: +86 (0)335 850 7588

Interposing Relay Module C-9302 / C-9302A

Module Installation

The interposing relay module should be installed in compliance with all local codes and/or NFPA 72 National Fire Alarm Code, NFPA 70 National Electrical Code, BS5389, and EN 54. It is installed onto a standard one gang electrical box with a mounting hole that have 6.5cm spacing.

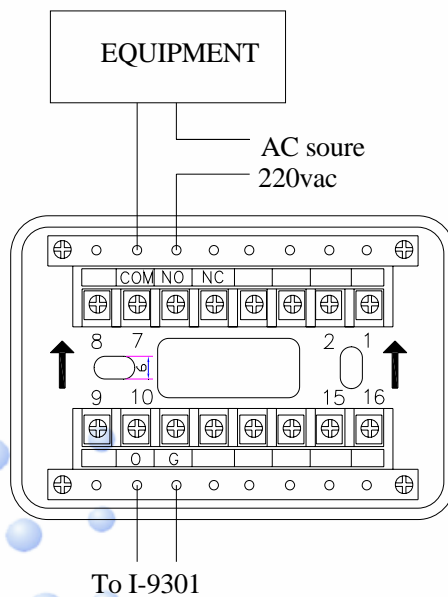


Wiring and Connection

Connect the wires to the required terminal according to the wiring diagram. The cable must be fire rated type and the size depends on the distance and application. Minimum size gauge 1.0mm² (18 AWG)

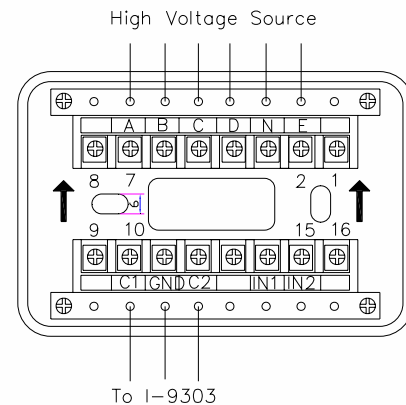
C-9302 Wiring

- COM, NO, NC: Output signal, passive normally open, normally closed contact.
- O, G: Active DC24V control signal input terminals.



C-9302A Wiring

- A, B: Start command signal output terminal, passive normally open contact.
- C, B: Stop command signal output terminal, passive normally closed contact.
- D: Start answer signal input terminal, from controlled equipment AC220V normally open contact.
- E: Stop answer signal input terminal, from controlled equipment AC220V normally closed contact.
- N: AC220V neutral terminal



Selection of compatible intelligent modules

Compatible with GST I-9301 Intelligent Single I/O Module and I-9303 Intelligent Dual I/O module

Ordering Information:

Part No	Description	Weight /Kg	Pack Qty per Box
C-9302	Interposing Relay Modules	.198	120
C-9302A	Double Action Interposing relay	.210	120

MANUFACTURED IN ACCORDANCE WITH



Note: Specifications are subject to change without notice.

GST England Lion Court, Staunton Harold Hall, Melbourne Road, Ashby de la Zouch, Leicestershire, England LE65 1RT Tel: +44 1283 225 478 Fax: +44 1283 220 690

GST Dubai ZA04, Jebel Ali Free Zone, P.O.Box 17998, Dubai UAE Tel: +971 (0)4 8833 050 Fax: +971 (0)4 8833 053

GST China 80, Changjiang East Road, Economic & Technology Development Zone Qinhuangdao, Hebei, China Tel: +86(0)335 850 2383 Fax: +86 (0)335 850 7588



www.gst.uk.com
info@gst.uk.com